

# Pellet Inserts



**HARMAN**<sup>®</sup>

BUILT TO A STANDARD, NOT A PRICE

# Accentra52i-TC

Enhanced with our exclusive EASY Touch Control and illuminated glass hopper lid, the Accentra52i-TC includes our legendary Pellet Pro and ESP technology, flame reactive mirrored glass and much more. With up to 50% less required maintenance than any other pellet insert available today, the Accentra52i-TC gives you something no other pellet insert can – time.

## Features

- Smart operation with EASY Touch Control
- Save money with built-in programmable thermostat
- View fuel levels easily with illuminated glass hopper lid
- Less loading with up to 64.5-lb hopper capacity
- Easy, low maintenance
- Elegant flame-reactive mirrored glass
- Installation made easy with direct vent



Cover image and above: Accentra52i-TC shown in matte black  
Left: Accentra52i-TC shown in Majolica Brown

## Specifications

BTU/Hr Input<sup>1</sup>..... 11,200 – 50,300

Efficiency<sup>2</sup>..... 81% LHV; 76% HHV

Emissions..... 1.1 g/hr

Heating Capacity<sup>3</sup>..... 900-2,600 sq ft

Fuel Type..... Pellet

Weight..... 460 lb

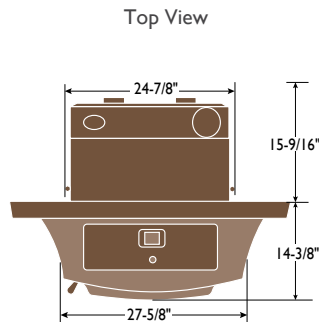
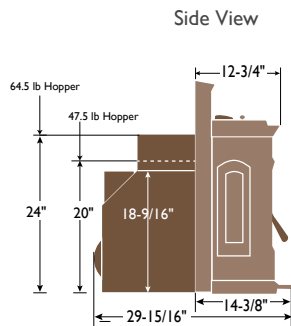
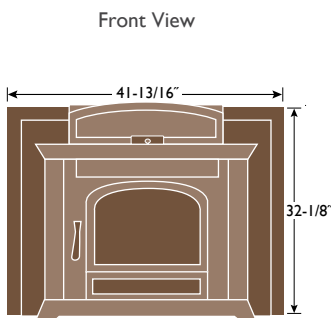
Hopper Capacity:

20" fireplace opening: 47.5 lb

24" fireplace opening: 64.5 lb

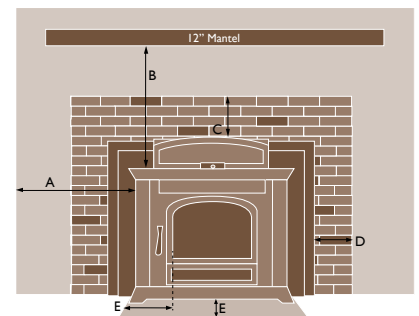
Feed Rate: 1.5-5.8 lb/hr

Venting Size<sup>4</sup>: 4"



## Clearance to Combustibles

- A. Unit to sidewall..... 12"
- B. Unit top to mantel..... 12"
- C. Cast surround top to 3/4" trim..... 0"
- D. Cast surround side to 3/4" trim..... 0"
- E. Floor protector: spark and ember protection only (from glass)..... 6"



Floor Protection: Minimum: 30"x 16-1/2"



# P35i

The P35i pellet insert delivers efficient warmth in a compact design. Unique engineering, paired with world-class technology takes this eco-friendly heating option to the next level. Available in two sizes, this pellet fireplace insert produces low emissions which saves you money and helps the environment, while providing a one-of-a-kind appeal in your home.

## Features

- High efficiency
- Room temperature regulated to within one degree
- Cleaner glass thanks to exclusive air wash system
- Less loading with up to 62-lb hopper capacity
- Easier maintenance with slide out track system to access components
- Elegant flame-reactive mirrored glass
- Installation made easy with direct vent

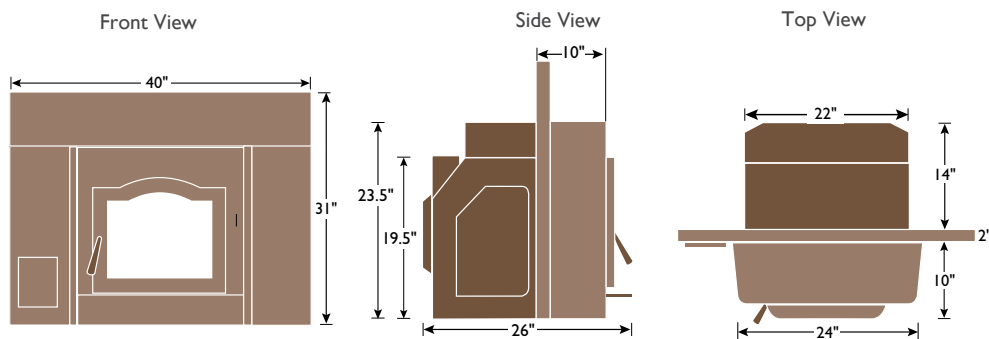


Above: P35i shown with Leaf trim kit and ceramic log kit  
Left: P35i shown with Modern trim kit

## Specifications

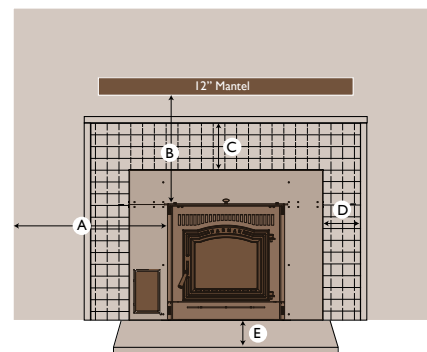
BTU/Hr Input<sup>1</sup>..... 12,800-38,400  
 Efficiency<sup>2</sup>..... 74% LHV; 68% HHV  
 Emissions..... 1.5 g/hr  
 Heating Capacity<sup>3</sup>.....800-2,100 sq ft  
 Fuel Type..... Pellet  
 Weight..... 216 lb

Hopper Capacity:  
 23-1/2" fireplace opening: 62 lb  
 19-1/2" fireplace opening: 41 lb  
 Feed Rate: 1.4-4.2 lb/hr  
 Venting Size<sup>4</sup>: 4"



## Clearance to Combustibles

- A. Unit to sidewall..... 13"
- B. Unit top to mantel..... 12"
- C. Cast surround top to 3/4" trim..... 0"
- D. Cast surround side to 3/4" trim..... 1"
- E. Floor protector: door opening to front..... 6"



Floor Protection: Minimum: 32"W x 16"D

# Pellet Insert Options

## ACCENTRA52i-TC



Porcelain Majolica  
Brown Finish



Matte Black Finish



Ceramic Log Kit



Wireless Room  
Sensor



Outside Temperature Kit

## P35i



Modern Trim Kit

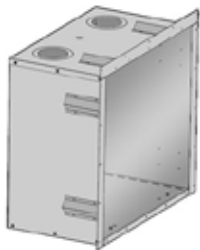


Leaf Trim Kit



Ceramic Log Kit

## ACCENTRA52i-TC & P35i



Zero Clearance Cabinet  
(used to install where there is not a factory  
built fireplace or masonry fireplace)



Service Rail Kit



Direct Vent Wall  
Pass-Through



Outside Air  
Termination Cap

# Pellet Insert Technologies



**EASY Touch Control** Easy-to-use, industry-leading touch control provides one-screen operation and access to optional menus that give you complete control of your stove. Available on Accentra52i-TC only.



**PelletPro™ Technology** Burn any grade of pellet fuel with maximum heat and efficiency with this patented system. A bottom-up feed system burns each pellet completely and allows for 24-hour heating. Available on Accentra52i-TC and P35i.



**ESP Temperature Control** Exhaust Sensing Probe (ESP) system delivers precise heat control, constantly monitoring and adjusting heat output to maintain set room temperatures within one degree. Available on Accentra52i-TC and P35i.



**Wireless Room Sensor** Designed to communicate with the EASY Touch Controls on Harman pellet products from up to 30 feet away. Mounts on a wall wherever you want your heat measured. Available on Accentra52i-TC only.

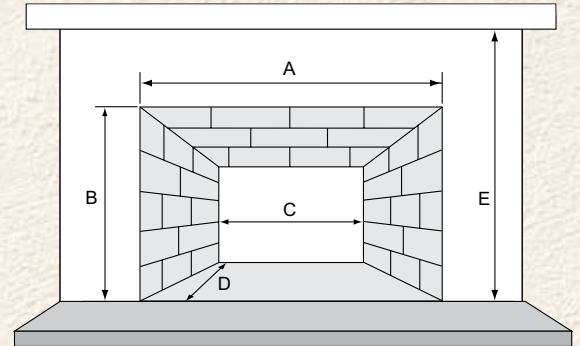


# Three easy steps to upgrade your existing wood-burning fireplace

## STEP 1: MEASURE YOUR EXISTING FIREPLACE OPENING AND CHOOSE YOUR INSERT

The height, width and depth of the existing fireplace opening is needed to ensure selection of an appropriately-sized insert:

- A. Fireplace front width \_\_\_\_\_
- B. Fireplace front height \_\_\_\_\_
- C. Fireplace back width \_\_\_\_\_
- D. Fireplace depth \_\_\_\_\_
- E. Hearth to mantel height \_\_\_\_\_



When choosing your model, keep these two factors in mind and you're sure to make a solid choice:

- Consider the size of your existing fireplace opening – try and fill that space
- Consider how your insert will be used: room size, heating needs and usage frequency all come into play

## STEP 2: CHOOSE YOUR SURROUND

Surrounds remove the gap between the fireplace insert and existing fireplace opening. Choose from our two standard sizes or customize for uniquely sized areas..



STANDARD  
31-5/16" x 41-13/16"



LARGE  
48" x 34"



STANDARD  
31" x 40"



LARGE  
34" x 46"

### CUSTOM SURROUNDS

- Up to 60" x 47"
- See custom order form for details

## STEP 3: CUSTOMIZE YOUR INSERT

### Accentra52i-TC Options

- Porcelain Majolica Brown Finish
- Matte Black Finish
- Ceramic Log Kit
- Wireless Room Sensor
- Outside Temperature Kit

### P35i Options

- Modern Trim Kit
- Leaf Trim Kit
- Ceramic Log Kit

### Options for both inserts

- Zero Clearance Cabinet
- Service Rail Kit
- Direct Vent Wall Pass-Through
- Outside Air Termination Cap



## From Humble Beginnings

In 1978, Dane and Gloria Harman struggled to pay high electric heating bills. Using his welding and design skills, Dane decided to build a wood stove in their garage as a more affordable alternative. Word spread and orders from locals poured in, leading Dane and Gloria to quit their jobs and commit to the heating business and together, they established Harman in a small building beside their Pennsylvania home.

## A Recognized Leader

Driven by the motto, "Built to a Standard, Not a Price" Harman Pellet Pro Technology was invented in 1991, sending Harman pellet stoves on a journey powered by performance and engineering excellence. Since then, Harman has continuously propelled pellet technology forward, with patented designs, international honors and industry firsts. Harman products continue to be made to withstand the test of time with accurate, reliable warmth and timeless elegance.

## Joining The Hearth Experts™




In 2007, Harman joined Hearth & Home Technologies® (HHT), adding the strength of Harman's reputation to the HHT portfolio. Harman's roots remain in Pennsylvania, where they continue to deliver quality stoves with American components and home-grown design principles that never go out of style.



YOUR HARMAN DEALER IS:

**HARMAN**<sup>®</sup>  
BUILT TO A STANDARD. NOT A PRICE

PHONE: 800-664-3119  
WWW.HARMANSTOVES.COM

 facebook.com/HarmanStoves  
 twitter.com/HarmanStoves  
 youtube.com/HarmanStoves

HAR-1715U-0222

## LIMITED LIFETIME WARRANTY<sup>5</sup>

The strongest in the industry, Harman provides a limited lifetime warranty on the most important aspects: firebox and heat exchanger.

1: EPA tested input 2: Weighted average LHV (Low Heating Value) efficiency, HHV (High Heat Value) efficiency used to qualify products for Tax Credit beginning in 2021. 3: See your local authorized Harman dealer for help in determining the product that best suits your heating needs based on climate and home efficiency. 4: When using 3" PL vent pipe, there must be 3" clearance to combustibles. 5: For full warranty details, visit [www.harmanstoves.com](http://www.harmanstoves.com).

Actual product appearance, including flame, may differ from image. Product specifications and pricing subject to change without notice. The images and descriptions in this brochure are provided to assist you in product selection only. Fuel density and pellet shape may affect hopper capacity. BTU's may vary depending on type of fuel used. Refer to installation manual for complete clearance requirements and specifications.

Appliance surfaces get extremely HOT and can cause severe burns if touched. Keep a safe distance away. To learn more visit [www.harmanstoves.com/fireplacesafety](http://www.harmanstoves.com/fireplacesafety)